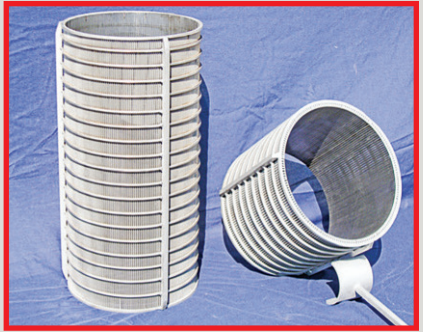


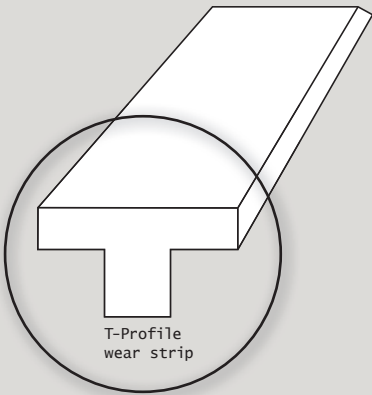
# SCREENS FOR FAN, BAUER, AND DODA SCREW PRESSES

## Boldt Screen Advantages:

- Better separation
- Better drainage
- Thicker wedge wire
- Cost 30% less than the competition
- Made in the U.S.A.



**Get more for your dollar.**  
**Highest quality after-market screen available.**



T-Profile  
wear strip

Replacement plastic ware  
strips for FAN separators  
T profile

- Save 30%
- Same day shipping
- Sizes 260 - 520 - 780

## Augers NEW & RECONDITIONED:

- Rehard Faced
- Ground back to original spec within .003 inch
- Optional - overlay to add hardness and prevent calcium build up on the shaft and flight



Dealer for:



RIVERSCREEN

**806-322-0876**

806-683-2297 cell

bob@boldt-fab.com

www.boldt-fab.com

**Dealers Wanted**

**BOLDT**  
Fabrication and Design Inc.



All Equipment and Parts  
Manufactured in the U.S.A.

